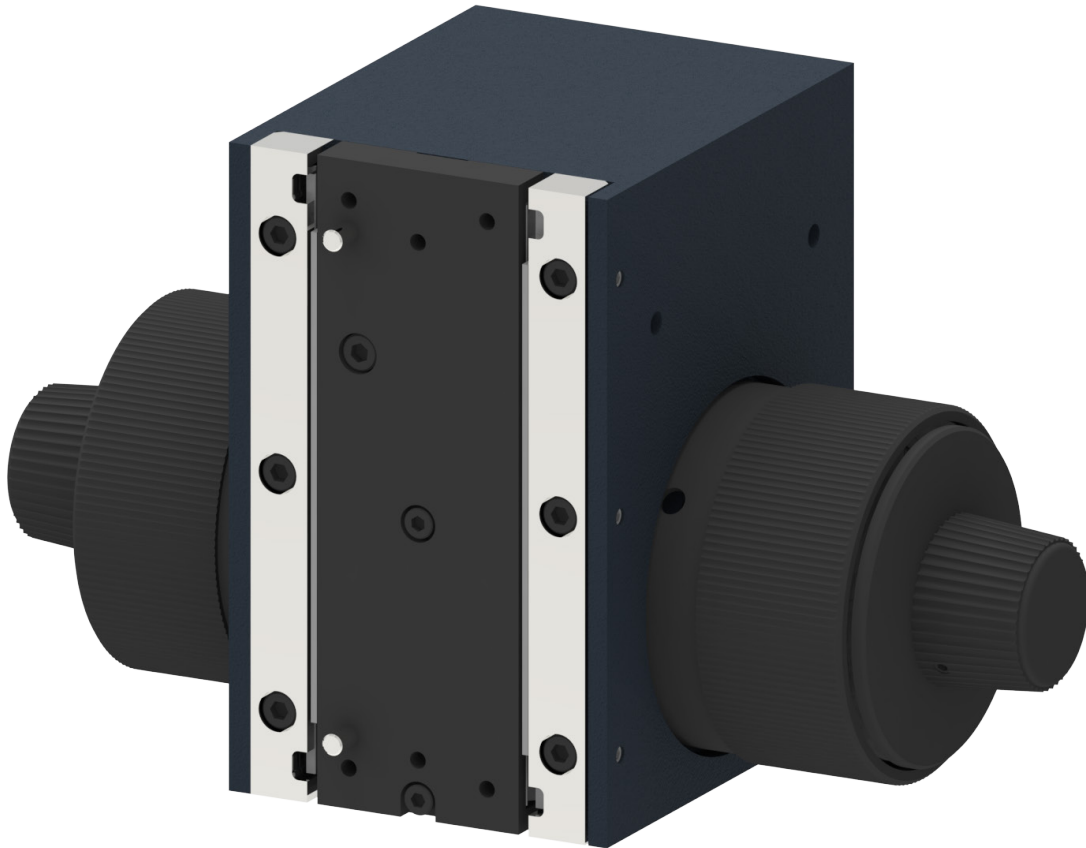


Z Axis

FB201 Manual Focus Block



The FB201 manual focus block provides a cost-effective solution for easy, intuitive focus adjustments for routine microscopy. Featuring numerous mounting interfaces and a pair of alignment pins on its slide plate, integrating the FB201 into customized inspection instruments is simple, with the traditional fine and coarse focusing knobs providing a recognisable interface for any type of user. The coarse focus mechanism incorporates a slip clutch to prevent mechanical overload, and the fine focus adjustment is graduated in two-micron divisions, providing a robust but precise focusing device.

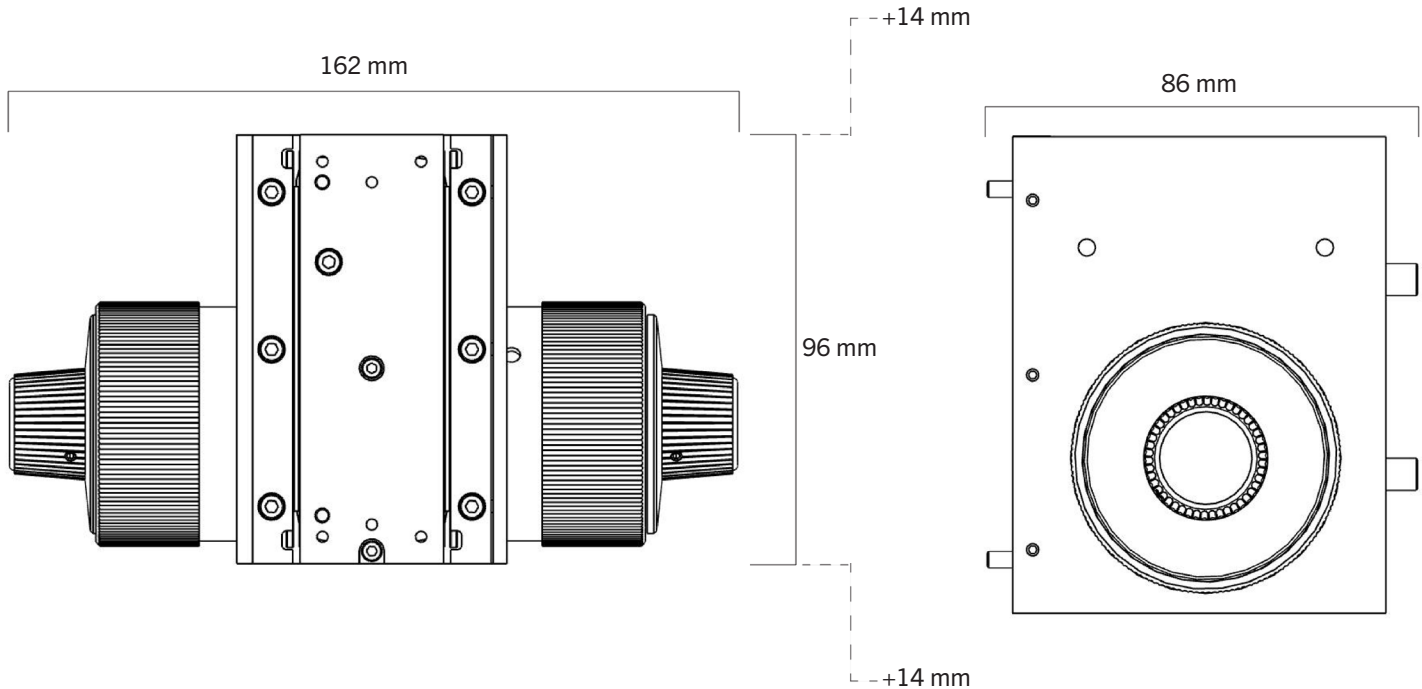
Key Features

- Rack and pinion mechanism
- 28 mm travel range
- Numerous mounting points
- Slip clutch protection against mechanical overload

Applications

- Industrial and semiconductor inspection
- Hardness testing instruments
- Electronics
- Fiber alignment
- System integration and OEM manufacturing

Dimensions



Specifications

	Non-encoded
Travel range	28 mm
Maximum load	5 kg
Travel per fine focus rotation	220 μ m

Ordering Information

Part Number	Description
FB201	Manual focus block, non-encoded, no brackets, no base

UNITED KINGDOM

Prior Scientific Instruments Ltd.
Units 3-4 Fielding Industrial Estate
Wilbraham Road, Fulbourn
Cambridge, CB21 5ET
United Kingdom
Email: inquiries@prior.com
Phone: +44 (0)1223 881711

U.S.A.

Prior Scientific, Inc.
80 Reservoir Park Drive
Rockland, MA. 02370
U.S.A.
Email: info@prior.com
Phone: +1 781.878.8442

GERMANY

Prior Scientific Instruments GmbH
Maria-Pawlowna-Str. 4
D-07743, Jena, Germany
Email: jena@prior.com
Phone: +49 (0) 3641 24 20 10

JAPAN

Kayabacho 3rd Nagaoka Bldg 10F,
2-7-10, Nihonbashi Kayabacho, Chuo-Ku,
Tokyo103-0025, Japan
Email: info-japan@prior.com
Phone: 03-5652-8831

CHINA

Prior Scientific Instruments (Suzhou) Ltd.
Room 1812, Honghai Building,
72 Xingdu Street, Suzhou Industrial Park,
Suzhou, 215000 China
Email: info-china@prior.com
Phone: +86 (0)512 6617 5866



MicroscopeWorld

info@microscopeworld.com | 800-942-0528

