

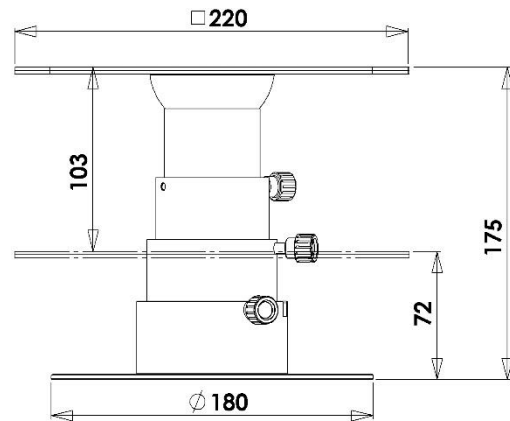
# Height Adjustable Tilt Table



Telescopic with Antistatic Mat

Quality of Inspection

The Inspectis Telescopic Height Adjustable Tilt Table provides 103mm vertical displacement and up to 30 degrees angle of the inspection objects under your digital microscope.



The working surface is covered by a high friction antistatic mat that keeps your inspection object in place. 4 slots are available for attaching optional magnetic pegs or custom-made fixtures and holders.

Designed to adjust Working Distance of U10 and C12 Digital Microscopes to your inspection object when +1, +3 and +5 diopter macro lenses are used.

Made of high quality antistatic coated material.

## Specification:

Maximum tilt angle	~ 30 degrees all directions
Height adjustment (Z-travel)	72 to 175 mm, (103mm stepless)
Size of the board	220 x 220 mm
Weight	~ 2.5 kg
Others	ESD protected
Optional accessories	Magnetic pegs (4x).



## Ordering Number/Name

- HD-150** Telescopic Height Adjustable Tilt Table
- HD-128** Magnetic pegs (4x)

Reseller



V1, 2018

[www.inspect-is.com](http://www.inspect-is.com)