

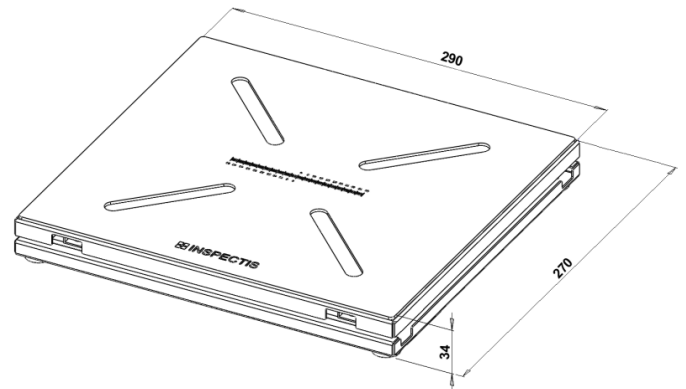
XY Floating Board



Quality of Inspection

with Antistatic Mat

The Inspectis XY Floating board provides smooth lateral movement of your inspection objects under the microscope.



The working surface is covered by a high friction antistatic mat that keeps your inspection object in place. 4 slots are available for attaching optional magnetic pegs or custom made fixtures and holders.

Made of high quality antistatic coated material.

Specification:

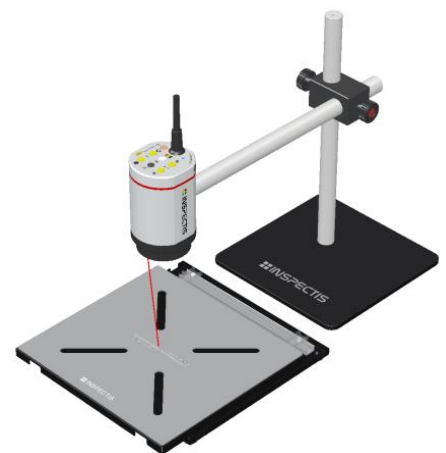
Size of the board	290x270 mm
XY travel	$\pm 160\text{mm} \times \pm 145\text{mm}$
Height	34 mm
Weight	2.4 kg
Others	ESD protected.
Optional accessories	Magnetic pegs (4x).



Ordering Number/Name

HD-028 XY Floating Board
HD-128 Magnetic pegs (4x)

Reseller:



MicroscopeWorld

V1, 2018

www.inspect-is.com